

Installation instructions for PZ4AL-03011-00, PZ4AL-03012-00
Under Run Protective Shield Engine Bay and Transmission Case

TOYOTA Camry

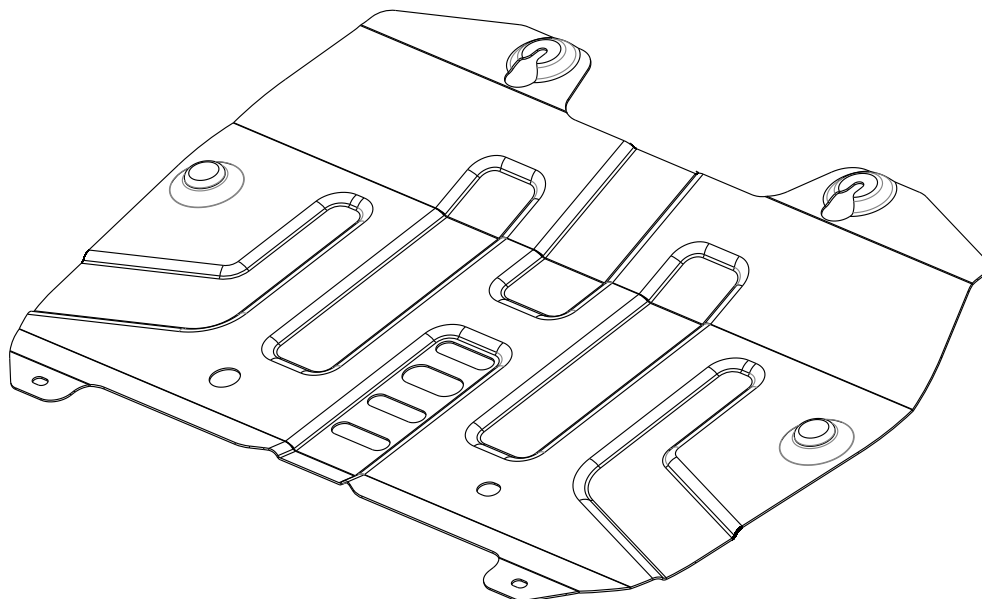


LEXUS ES



Model Year:	Camry - 2018	ES 200/250/350 - 2018
Vehicle Code:	ASV71L-RETNHX ASV70L-RETNKX GSV70L-REZGBX	ASZ10L-AETGBW AXZA10L-AEZGBW GSZ10L-AEZGBW
Part Number:		Steel: PZ4AL-03011-00 Aluminium: PZ4AL-03012-00
 Weight:		Steel: 8,16 kg Aluminium: 4,54 kg
 Installation Time:		30 min

A



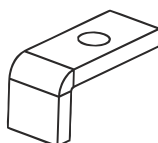
PZ4AL-03011-60

B



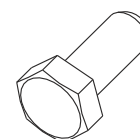
2x

C



2x

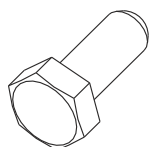
D1



Болт M10x40

2x

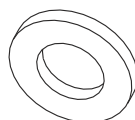
D2



Болт M10x90

2x

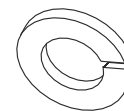
E



Ø10

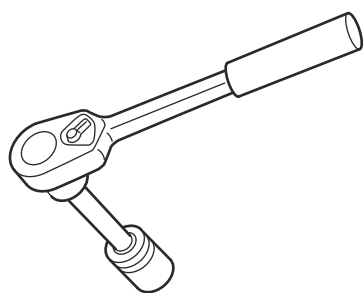
4x

F

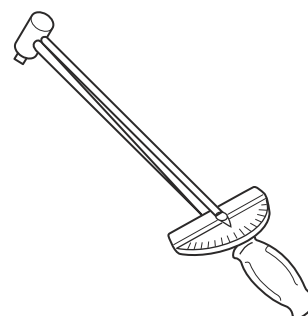


Ø10

4x

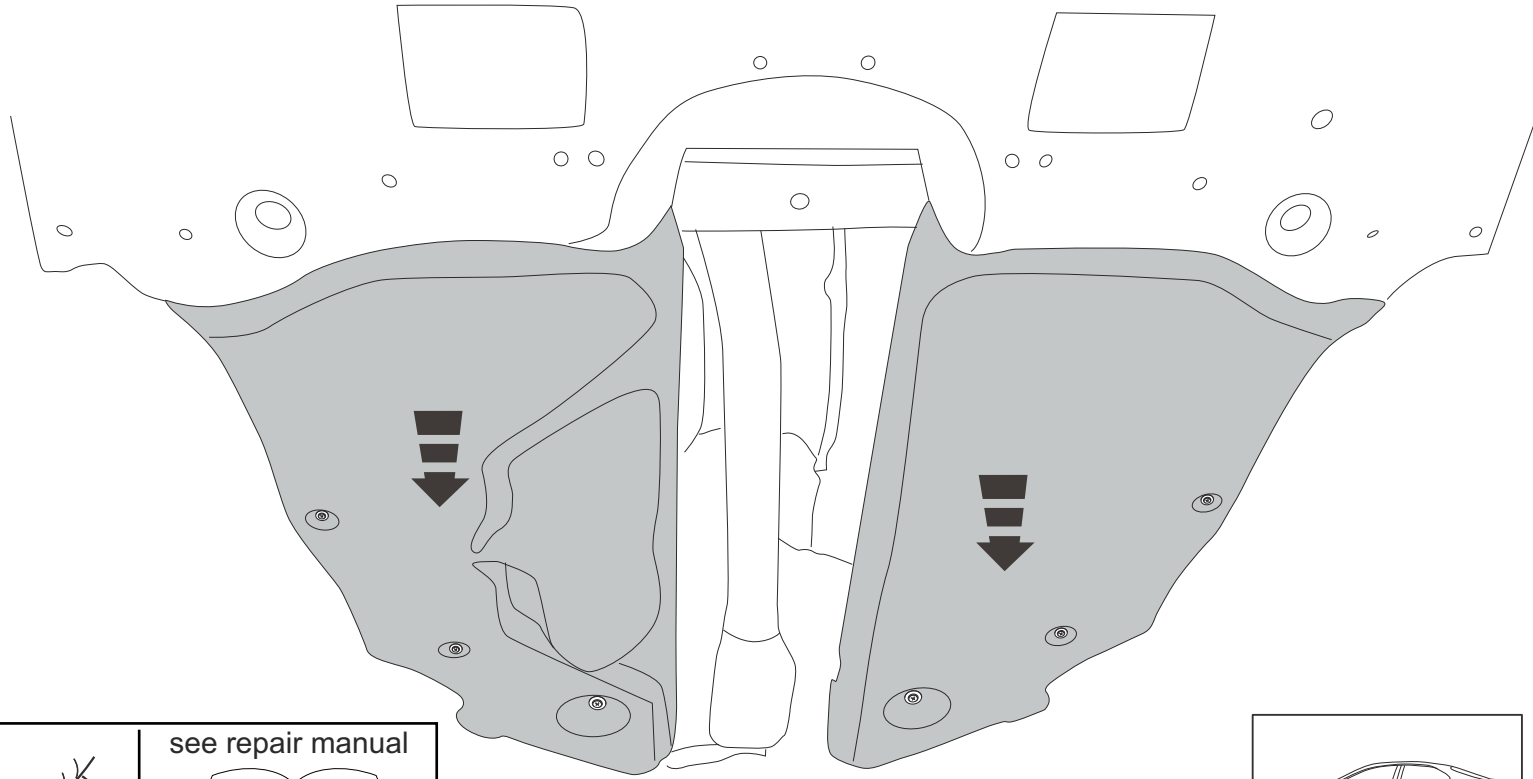


17 mm

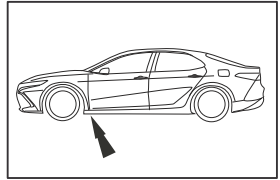


1

Lexus ES 200

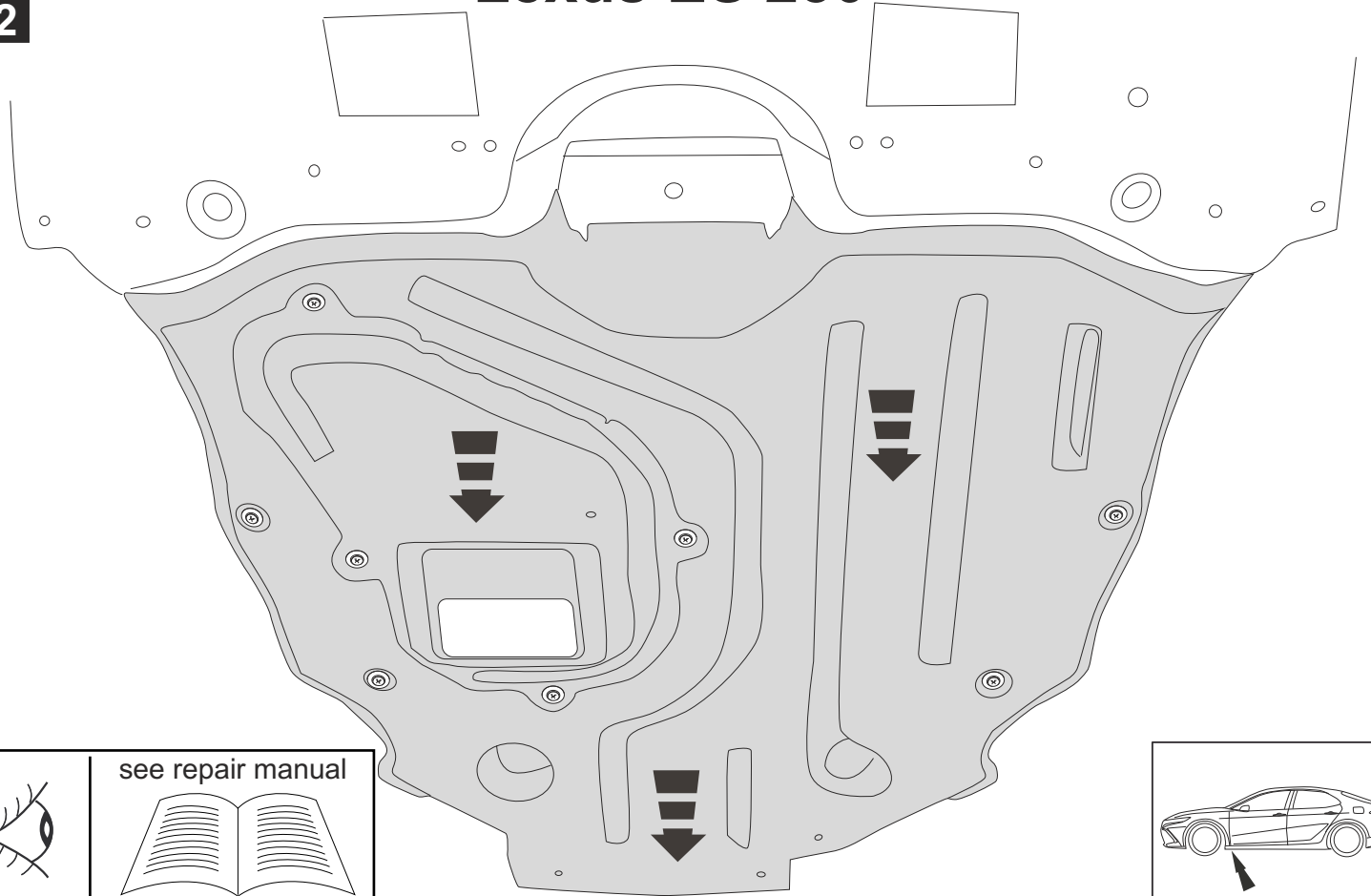


see repair manual

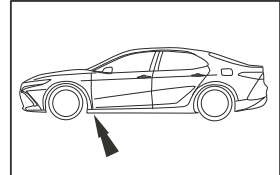
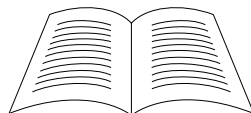


2

Lexus ES 250

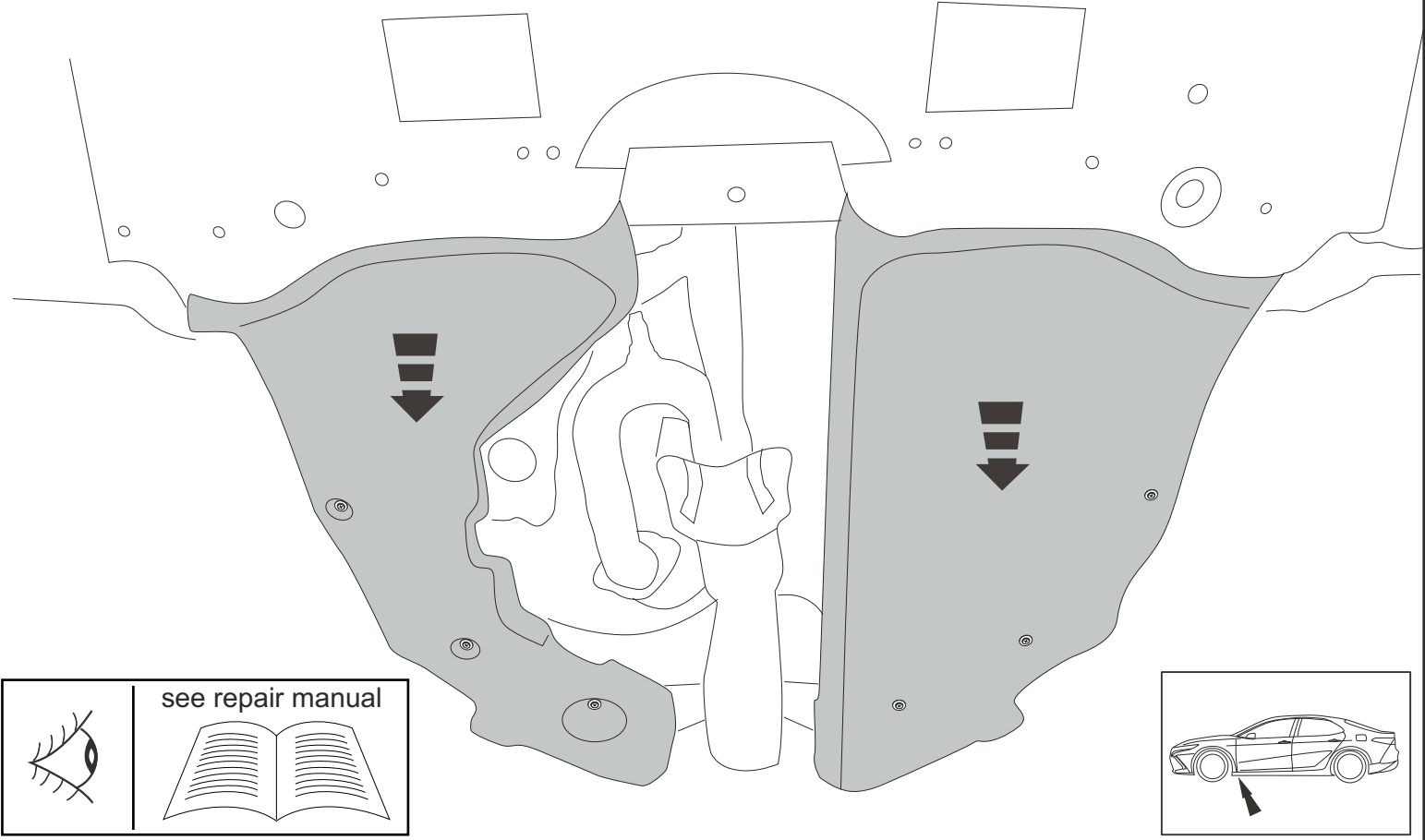


see repair manual

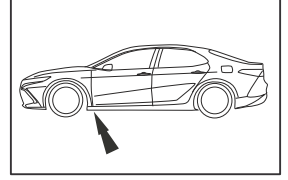


3

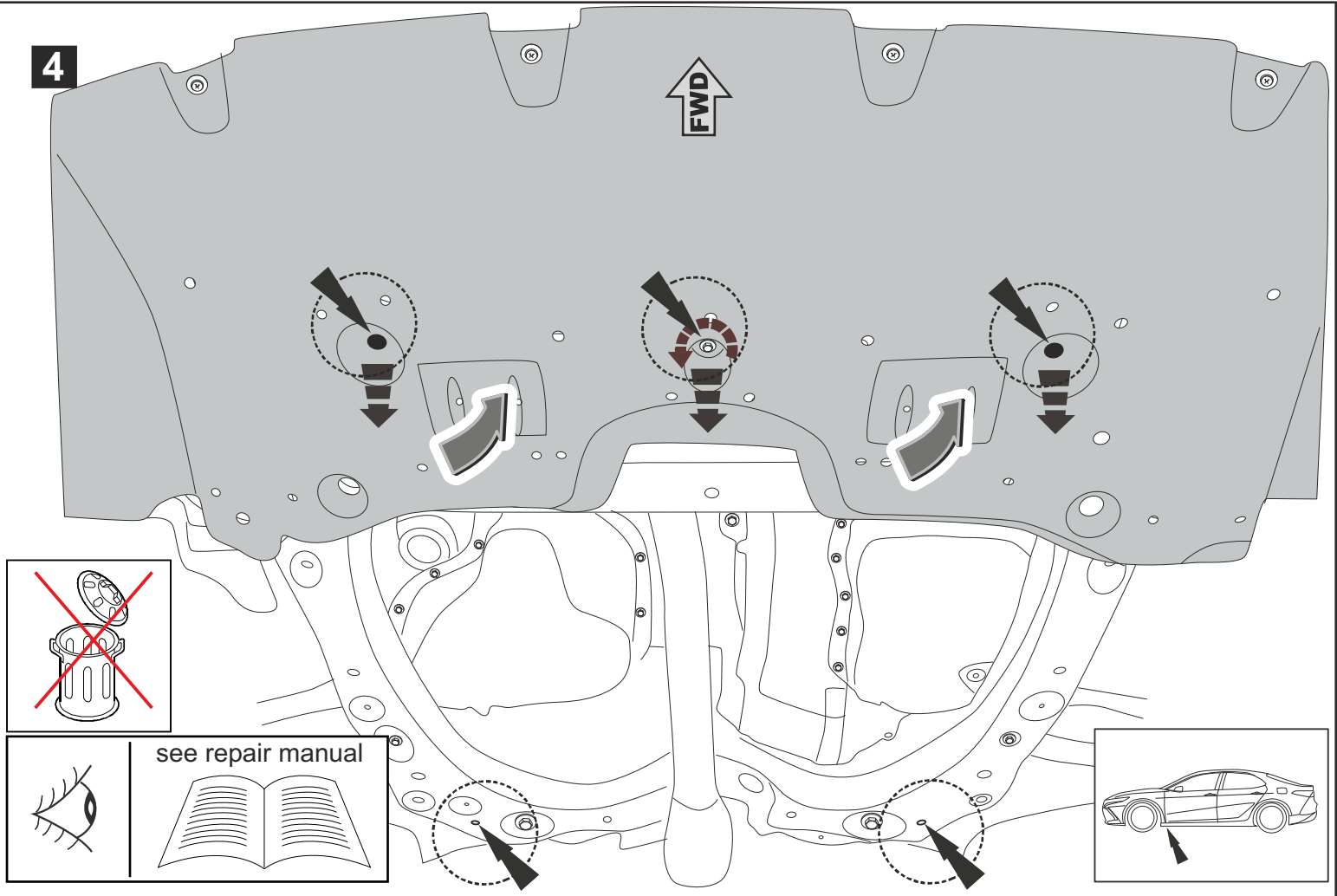
Lexus ES 350



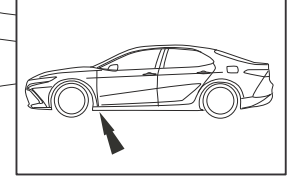
see repair manual



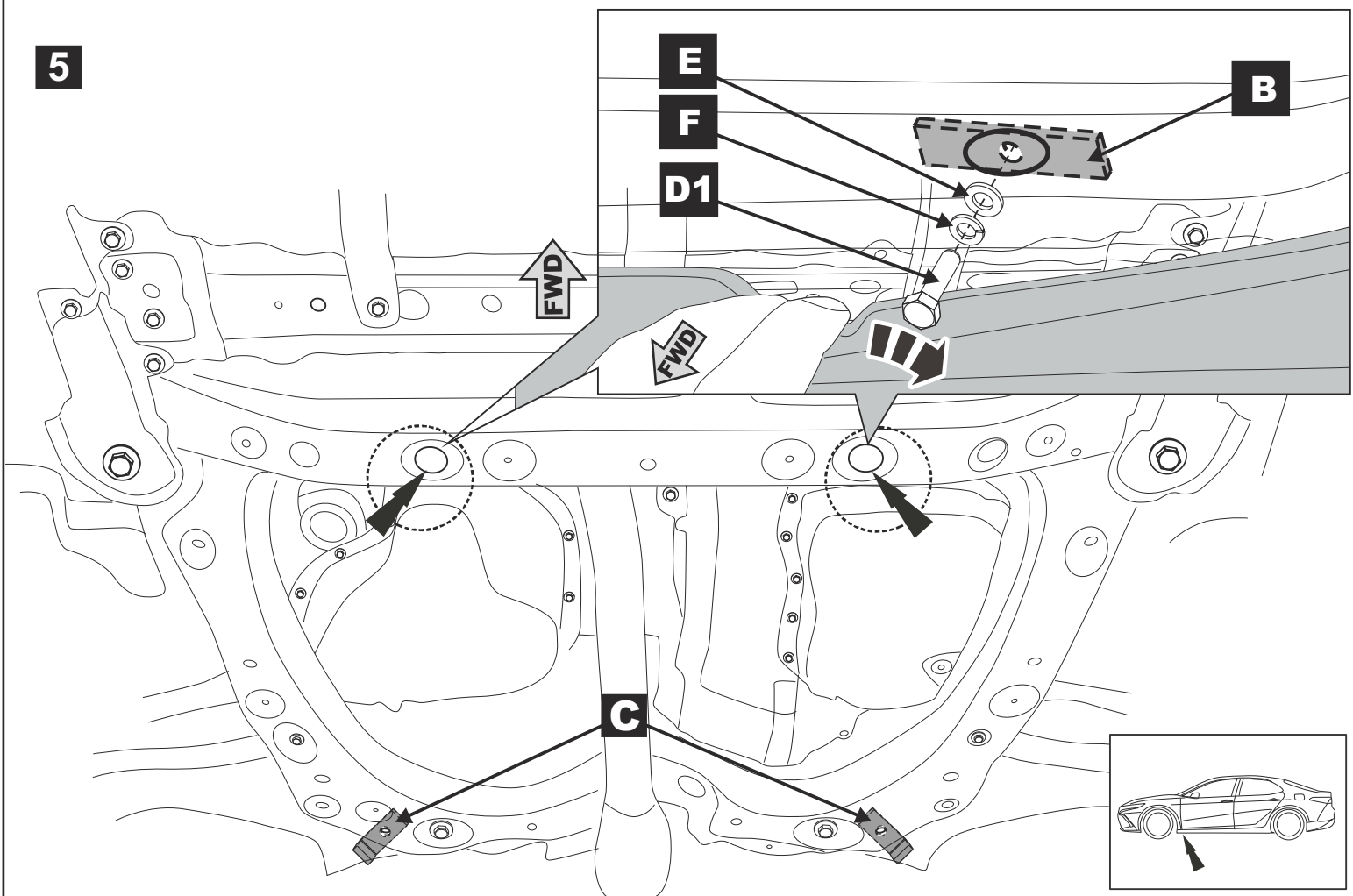
4



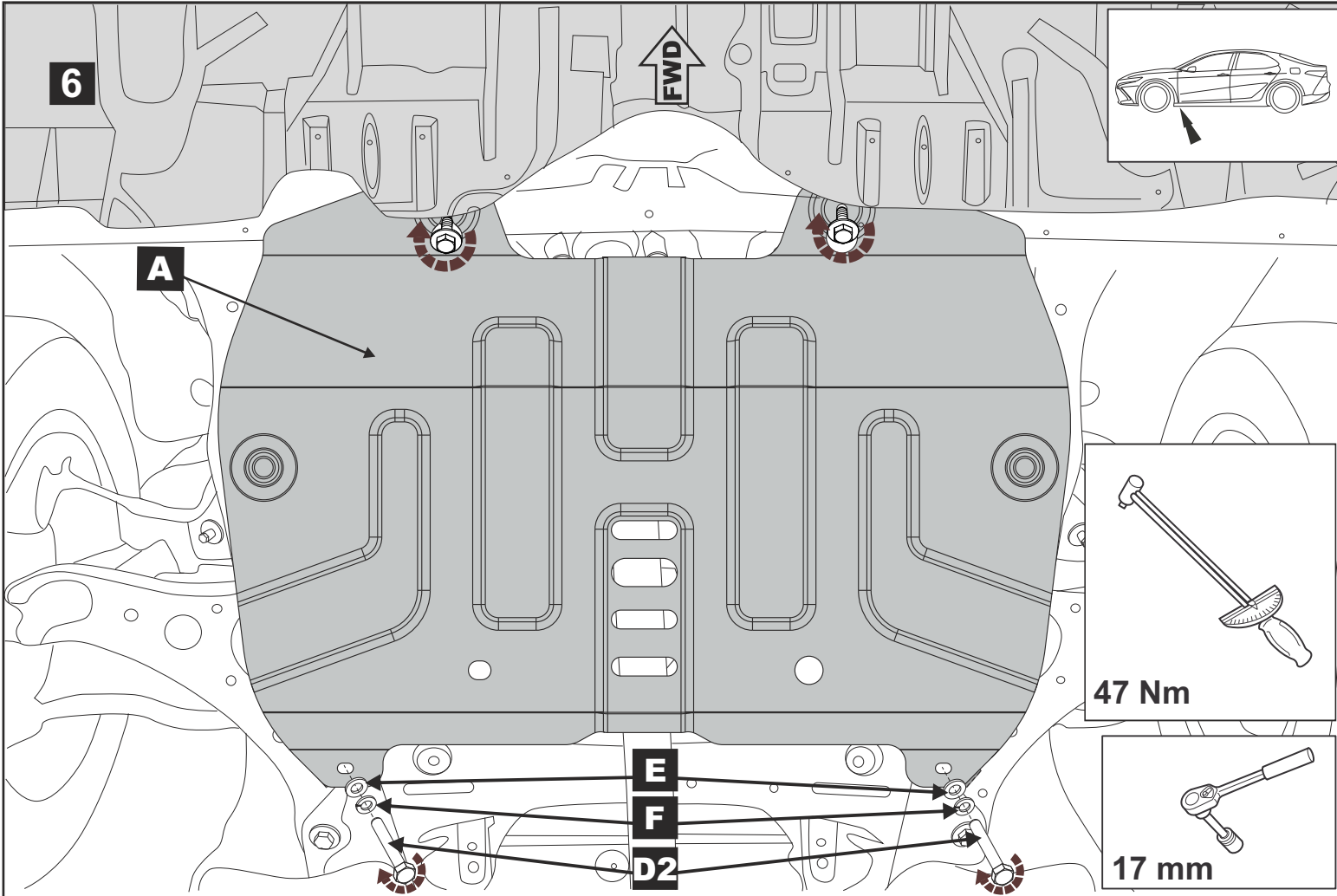
see repair manual



5



6



7

